



❖ **LARYNGOSCOPE**

**COMPREHENSIVE SOLUTIONS
FOR YOUR INTUBATION NEEDS**





MISSION

To enhance patient outcomes by providing Laryngoscopes that help clinicians protect against infection and improve patient and provider safety.

PHILOSOPHY

Premium quality Laryngoscopes at economical prices by minimizing overheads, bulk production and passing the cost benefit to distributors / hospitals.

QUALITY HAS A NAME SCOPE

Scope founded in 2006, is an Indian manufacturer and exporter of Laryngoscope, a medical instrument used to obtain a view of the vocal folds & glottis. Our modern technology driven manufacturing facility is based out of Ambala (Haryana), which is also known as the city of scientific instruments'.



Parveen Bhardwaj
Managing Director

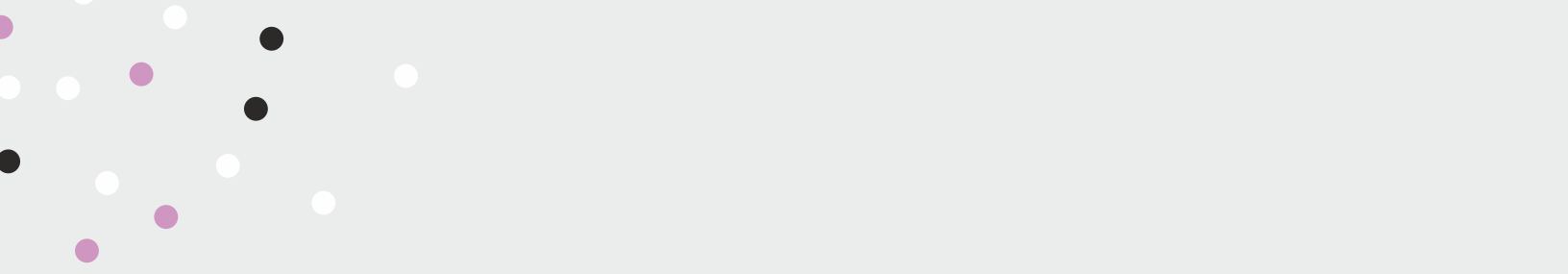
Scope is the dependable supplier of pediatric, adults & flexi sets of laryngoscope blades & handles equipped with Fiber Optic or Conventional LED lighting system in disposable / single patient use or Reusable / sterilizable options.

Our innovative approach towards product design and development has helped us become one of the most recognized suppliers of

Laryngoscope in many markets across the world. Our well-defined quality in material procurement, production, inspection, packaging, delivery and after sales service-makes us the most modern and competitive company in the industry.

ADVANTAGES

- Indian Company in Laryngoscope manufacturing business.
- ISO 9001:2015, ISO 13485:2016, BSI, UK Certified Company.
- All Laryngoscope made according to ISO 7376:2020 specifications.
- UK-MHRA, TGA-AUSTRALIA, US-FDA audited & CE Registered.
- Extensive machinery, tooling jigs and fixtures installed/ used.
- Product design abilities with Stress Analysis, Reverse Engineering.
- Highly qualified & experienced people from medical device industry.
- In house production of most components, including lamp assemblies.
- Clean assembly lines, surface contamination testing of finished product.
- Customized branding, private labeling and OEM packing solution experts.



CONTENTS



Scope Medical 01

Laryngoscopes Overview 04

•• **ISO FIBER OPTIC BLADES** 06

Integrated – Macintosh 08

Integrated – Miller 09

Integrated – Flexion 10

Modular – Macintosh 11

Modular – Miller 12

Modular – American Macintosh 13

Combi – Sets 15

Saver – Macintosh 16

Saver – Miller 17

Saver – Flexion 18

•• **VLSCOPE – VIDEO LARYNGOSCOPE** 19

•• **ISO FIBER OPTIC HANDLES** 20

Hyper LED – Reusable – SATIN FINISH 22

Hyper LED – Reusable – STAINLESS STEEL 23

Bright LED - Single Patient Use 24

Eco LED - Single Patient Use 25

Rechargeable – Reusable 26-27

•• **ISO CONVENTIONAL BLADES** 28

MetaLED – Macintosh 30

MetaLED – Miller 31

MetaLED 100 – Macintosh 32

MetaLED 100 – Miller 33

Standard – Macintosh 34

Standard – Miller 35

Standard – American Macintosh 36

•• **ISO CONVENTIONAL HANDLES** 38

Standart – Reusable 40

Conventional – Single Patient Use 41

Rechargeable – Reusable 42-43

•• **MRI SUITE LARYNGOSCOPE** 44

MRI Conditional – Macintosh 46

MRI Conditional – Miller 47

MRI Conditional – American Mac 48

MRI Conditional Handles, Battery Packs 50

•• **PACKING OPTIONS** 51

MR Conditional Set – F-3236-8 53

MR Conditional Set – F-3598-8 53

•• **LARYNGOSCOPE KITS**

Standard – Adult Set – C-1210-7 54

Standard Set – C-1248-6 54

Integrated – Adult Set – F-3225-6 54

Integrated Flexion Set – F-3298-7 54

•• **LARYNGOSCOPE KITS**

Modular Set – F-3592-7 55

Modular Set – F-3212-6 55

Modular - Pedia Set – F-3201-7 55

Metaled 100 Set C3551-6 55

Notes 56

❖ LARYNGOSCOPE

AN OVERVIEW

Laryngoscope is a medical instrument used to obtain a view of the vocal folds and the glottis, which is the space between the vocal cords. The first laryngoscope was invented in 1854 by Manuel Patricio Rodriguez Garcia. Modern day laryngoscope systems began in early 1940 by Foregger Co; USA. A Laryngoscope basically has two components – a blade with an interchangeable hook and a handle containing batteries needed for illumination. The Blade is hooked on the handle's hinge pin, and then rotated at a 90° position where the blade heel contacts the handle's electrical contacts – turning the light ON.



On the basis of lighting technology
Laryngoscope are broadly defined in two categories...

CONVENTIONAL LIGHT LARYNGOSCOPE

Blades have a lamp near the distal end have an electrical connection to illuminate the lamp, powered by batteries in the handle.

FIBRE OPTIC LIGHT LARYNGOSCOPES

Advancement in newer lighting technologies eliminated electric wires, lamps & some contact from blade thus producing a very dependable, cold and brighter illumination.

Our fiber optic handles are fitted with latest LED lamps that produce excellent illumination, which follows quartz glass fiber optic bundle or plastic light guide along the blade to illuminate patient's oral cavity.

In an attempt to visualize the Larynx and facilitate insertion of Endotracheal Tube, literally hundreds of blade profiles and sizes have been made or suggested. However, all blades fall into modification of Two general shapes:

❖ SALES /SERVICE

Our Laryngoscope are distributed by professional Anesthesia channel partners and distributors. This means that the complete Scope Laryngoscope offering is not only available but that trained and qualified personnel are ready to answer your question and service your instrument should the need ever arise. Wherever your practice is or may take you, Scope Medical Laryngoscope will be your true partner for intubations.

CURVED(Macintosh) BLADES

The most common and popular blade suggested by Sir Robert Macintosh MD in 1941 this curved blade is designed such that its tip is advanced to the base of patient's epiglottis, then, by fitting slightly, the vocal cords can be visualized, allowing for endotracheal tube insertion.

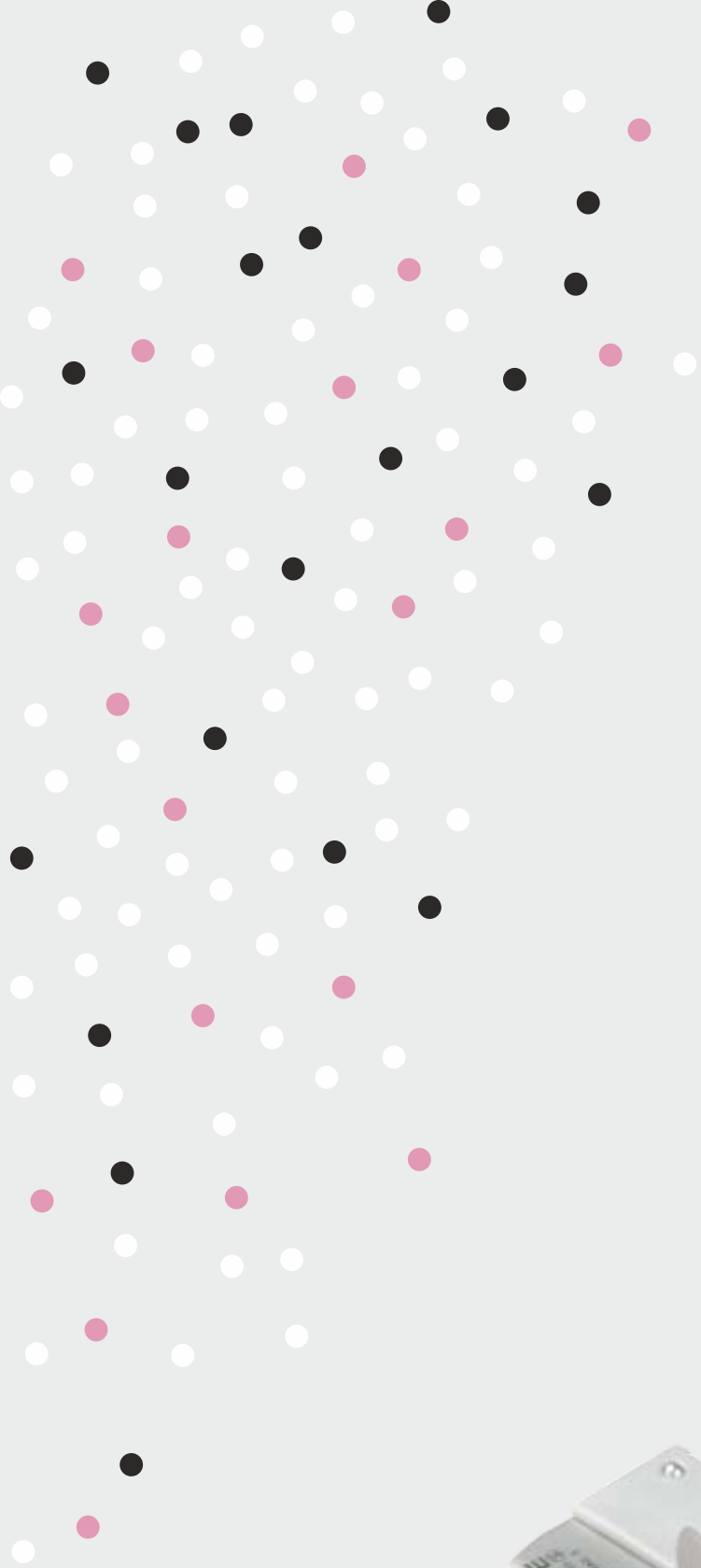
STRAIGHT (Miller) BLADES

The other most common blade was described by William miller, MD. In this design using a straight blade, the tip is advanced just past the patient's epiglottis. The blade is then raised lifting the epiglottis thus exposing the vocal cords allowing the endotracheal tube to be inserted along the flange into larynx.

These above two profiles have been produced into English, American & German profiles.

❖ GUARANTEE

Each of our products is subjected to strict quality inspections, packing, manufacturing traceability and functional performance.





• ISO FIBER OPTIC BLADES

- Scope Fiber Optic Laryngoscope blades feature quartz glass optical fibers to provide an excellent Laryngoscope system.
- Scope F/O Laryngoscopes has not only larger fiber bundle size but are also autoclavable to an unprecedented extent.
- Scope Laryngoscopes excel through fine workmanship and quality materials. This allows us to give unconditional replacement warranty on all blades & handles for 36 months.
- Compatible with all ISO 7376: 2020 Green standard Laryngoscope handles.
- CE & LOT number permanently etched for traceability & warranty claims.
- All laryngoscopes are indigenously manufactured in our ISO 9001:2015 & ISO 13485:2016 certified facility in INDIA.
- Our factory is audited for Laryngoscope production by US-FDA, and is listed with UK-MHRA, JAPAN HEALTH MINISTRY.
- Blades supplied individually or in sets with suitable long-life foam padded carry cases.

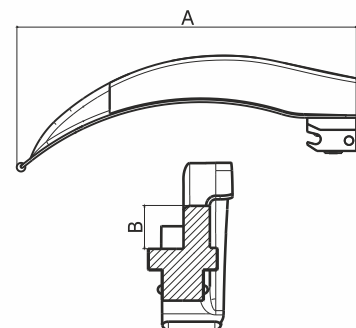
INTEGRATED MACINTOSH



- Completely sealed ONE PIECE BLADE CONSTRUCTION, Maintenance Free design
- Smooth shape – no sharp edges or cavities, very easy to clean and disinfect
- Distal lip of all Integrated F/O blades features special non traumatic profile
- Shortened shoulder of blades improve the anesthetist's view to epiglottis & vocal cords
- Fiber optic bundle of 4.0mm & 6000 individual micro fibers for best-in-class light transmission
- All blades made of premium grade stainless steel in matt finish
- Both ends of large fiber bundle are protected – for long life of blades
- Tested to withstand 4000 standard Autoclave cycles of 134°C / 3 minutes
- Blades are also compatible with Sterrad® and other low-temperature gas plasma sterilization procedures
- No flickering or low light issues – due to lamp located inside protected handles harness
- Integrated F.O. Blades available in Curved Macintosh 0,1,2,3,4,5 and Straight Miller 00,0,1,2,3,4 sizes
- No external light guides that may fix incorrectly – resulting in low or no light
- No removable parts or special tools getting lost during cleaning procedures
- No tricky opening or crevices to get dirty – a major contribution to eliminating cross infection

Green Spec Fibre Optic Reusable Laryngoscope - INTEGRATED

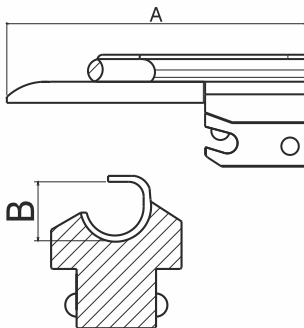
Order REF	Blade Size	Total Length (A)	Proxy Height (B)	Distal Width (C)
SM-32D0	Mac 0	85 mm	15 mm	11 mm
SM-32D1	Mac 1	96 mm	13 mm	11 mm
SM-32D2	Mac 2	116 mm	15.5 mm	14 mm
SM-32D3	Mac 3	136 mm	17.5 mm	14 mm
SM-32D4	Mac 4	156 mm	17.5 mm	14 mm
SM-32D5	Mac 5	174 mm	17.5 mm	14 mm



INTEGRATED MILLER



- Completely sealed ONE PIECE BLADE CONSTRUCTION, Maintenance Free design
- Smooth shape – no sharp edges or cavities, very easy to clean and disinfect
- Distal lip of all Integrated F/O blades features special non traumatic profile
- Shortened shoulder of blades improve the anesthetist's view to epiglottis & vocal cords
- Fiber optic bundle of 4.0mm & 6000 individual micro fibers for best-in-class light transmission
- All blades made of premium grade stainless steel in matt finish
- Both ends of large fiber bundle are protected – for long life of blades
- Tested to withstand 4000 standard Autoclave cycles of 134°C / 3 minutes
- Blades are also compatible with Sterrad® and other low-temperature gas plasma sterilization procedures
- No flickering or low light issues – due to lamp located inside protected handles harness
- Integrated F.O. Blades available in Curved Macintosh 0, 1, 2, 3, 4, 5 and Straight Miller 00, 0, 1, 2, 3, 4 sizes
- No external light guides that may fix incorrectly – resulting in low or no light
- No removable parts or special tools getting lost during cleaning procedures
- No tricky opening or crevices to get dirty – a major contribution to eliminating cross infection



Green Spec Fibre Optic Reusable Laryngoscope - INTEGRATED

Order REF	Blade Size	Total Length (A)	Proxy Height (B)	Distal Width (C)
SM-32E00	Miller 00	68 mm	11.5 mm	11.5 mm
SM-32E0	Miller 0	79.5 mm	11.5 mm	11.5 mm
SM-32E1	Miller 1	104 mm	11.50 mm	11.5 mm
SM-32E2	Miller 2	155 mm	13.5 mm	14.5 mm
SM-32E3	Miller 3	195 mm	13.5 mm	14.5 mm
SM-32E4	Miller 4	203 mm	17 mm	16.5 mm

For information on battery handles, see pages 20-27

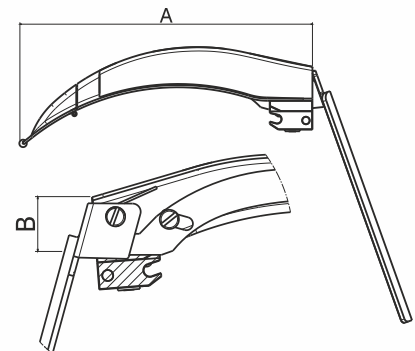
INTEGRATED FLEXION



- The FLEXION is a Macintosh F/O Laryngoscope blade with a tip which is adjustable through 70°. A lever controls the tip angle during intubation to lift the epiglottis, giving a clear view of the vocal cords. Contact with the upper row of teeth and unnecessary pressure on the tongue and soft tissue are avoided.
- Fiber optic bundle 4.0mm & 6000 individual micro fibers for best-in-class light transmission
- Integrated fiber optic design – for best-in-class maintenance free performance
- Fits all standard F/O handles (green standard). Exception: F/O Angled handles
- All blades made of premium grade stainless steel in matt finish
- Blades available in three most common curved Mac 2, 3 & 4 sizes
- Tested to withstand 4000 standard Autoclave cycles of 134°C / 3 minutes
- Blades are also compatible with Sterrad® and other low-temperature gas plasma sterilization procedures

Specialty Moveable Tip Laryngoscope – FLEXION INTEGRATED

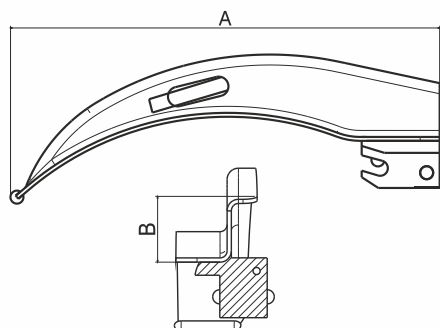
Order REF	Blade Size	Total Length (A)	Proxy Height (B)	Distal Width ©
SM-32L2	Mac 2	116 mm	15.5 mm	14 mm
SM-32L3	Mac 3	136 mm	17.5 mm	14 mm
SM-32L4	Mac 4	156 mm	17.5 mm	14 mm



MODULAR MACINTOSH



- Modular blade design – compatible to all ISO 7376 green spec handles
- Light guides are permanently etched for Blade type & size – quick fitment
- Smooth shape – no sharp edges, High-quality stainless-steel construction and matt finish
- Distal lip of all Modular F/O blades features a special non-traumatic profile
- Shortened shoulder of blades - improves the anesthetist's view to epiglottis & vocal cords
- Fiber optic bundle 4mm & 5000 individual glass optical fibers for best-in-class light transmission
- No flickering or low light issues – due to lamp located inside handles and not on blade
- Modular F/O blades with removable light guide – simple to remove and refit upon cleaning
- All Blades and light guides are fully autoclavable and can be fitted or removed quickly
- Modular F/O Blades available in Curved Macintosh 0,1,2,3,4,5 and Straight Miller 00,0,1,2,3,4 sizes
- Blades supplied individually or in sets with suitable long-life foam padded carry cases



Green Spec Fibre Optic Reusable Laryngoscope- MODULAR

Order REF	Size	Total Length (A)	Proxy Height (B)	Distal width (C)
SM-3210	Mac 0	81 mm	13.5 mm	9 mm
SM-3211	Mac 1	92 mm	16 mm	11.5 mm
SM-3212	Mac 2	114 mm	16 mm	14 mm
SM-3213	Mac 3	133 mm	19 mm	14 mm
SM-3214	Mac 4	157 mm	19.5 mm	14 mm
SM-3215	Mac 5	174 mm	14 mm	14 mm

For information on battery handles, see pages 20-27

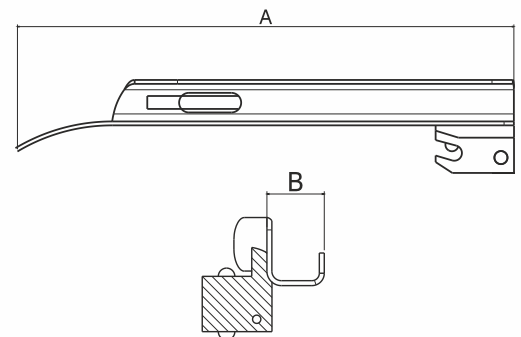
MODULAR MILLER



- Modular blade design – compatible to all ISO 7376 green spec handles
- Light guides are permanently etched for Blade type & size – quick fitment
- Smooth shape – no sharp edges, High-quality stainless-steel construction and matt finish
- Distal lip of all Modular F/O blades features a special non traumatic profile
- Shortened shoulder of blades - improves the anesthetist's view to epiglottis & vocal cords
- Fiber optic bundle 4mm & 5000 individual glass optical fibers for best-in-class light transmission
- No flickering or low light issues – due to lamp located inside handles and not on blade
- Modular F/O blades with removable light guide – simple to remove and refit upon cleaning
- All Blades and light guides are fully autoclavable and can be fitted or removed quickly
- Modular F/O Blades available in Curved Macintosh 0, 1, 2, 3, 4, 5 and Straight Miller 00, 0, 1, 2, 3, 4 sizes
- Blades supplied individually or in sets with suitable long-life foam padded carry cases

Green Spec Fibre Optic Reusable Laryngoscope- MODULAR

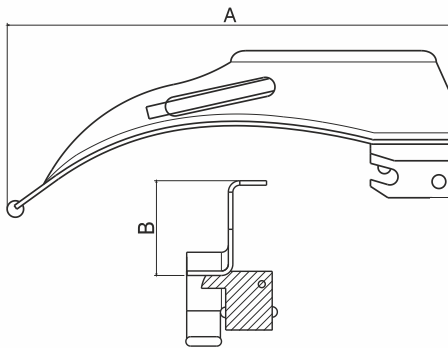
Order REF	Size	Total Length (A)	Proxy Height (B)	Distal width (C)
SM-32300	Miller 00	67 mm	12 mm	11.5 mm
SM-3230	Miller 0	76 mm	12 mm	11.5 mm
SM-3231	Miller 1	100 mm	12 mm	11.5 mm
SM-3232	Miller 2	148 mm	13.5 mm	13 mm
SM-3233	Miller 3	189 mm	13.5 mm	13 mm
SM-3234	Miller 4	207 mm	13.5 mm	13 mm



MODULAR AMERICAN MAC



- Modular blade design – compatible to all ISO 7376 green spec handles
- Light guides are permanently etched for Blade type & size – quick fitment
- Smooth shape – no sharp edges, High-quality stainless-steel construction and matt finish
- Distal lip of all Modular F/O blades features a special non traumatic profile
- Shortened shoulder of blades - improves the anesthetist's view to epiglottis & vocal cords
- Fiber optic bundle 4mm & 5000 individual glass optical fibers for best-in-class light transmission
- No flickering or low light issues – due to lamp located inside handles and not on blade
- Modular F/O blades with removable light guide – simple to remove and refit upon cleaning
- All Blades and light guides are fully autoclavable and can be fitted or removed quickly
- Modular F/O Blades available in Curved Macintosh 0, 1, 2, 3, 4, 5 and Straight Miller 00, 0, 1, 2, 3, 4 sizes
- Blades supplied individually or in sets with suitable long-life foam padded carry cases



Green Spec Fibre Optic Reusable Laryngoscope – MODULAR

Order REF	Size	Total Length (A)	Proxy Height (B)	Distal width (C)
SM-3200	A.Mac 0	83 mm	15 mm	9.5 mm
SM-3201	A.Mac 1	91 mm	15 mm	9.5 mm
SM-3202	A.Mac 2	112 mm	19.5 mm	12.5 mm
SM-3203	A.Mac 3	134 mm	24 mm	14.5 mm
SM-3204	A.Mac 4	161 mm	24 mm	15 mm

For information on battery handles, see pages 20-27

COMBE is a one-piece Laryngoscope system that has a Blade and Handle fixed together and batteries pre-installed. This allows "Test in Bag" functionality, prior to opening the pouch for patient use, which further helps clinicians on critical time lapse to find compatible blade or handle and look around for batteries.

It is based on the modern Fiber Optic Lighting, powered by a LED lamp handle giving excellent light output. COMBE Single Patient Use Laryngoscope system has superior stainless steel 304 grade blades in full range of sizes from Macintosh 0 ~ 5 and Miller 00 ~ 4. Blades are available with SLIM or STUBBY Handle as well as Adult Handle



COMBE LARYNGOSCOPE SYSTEM



- Strong, secure and clear bright light from blades
- Supplied in peel open pouch – quick and easy to use
- Choice of superior metal handle or economical plastic handle
- Hi Power Battery – Three-year shelf life of laryngoscope system
- Industry superior light intensity and no heat emission from LED lamp
- Combined Handle + Blade, Test in Bag, ready to use when pouch open
- Special profile Mac & Miller blades – facilitates user and patient comfort
- Made from surgical grade AISI 304 Stainless Steel, no sharp edges on blades
- Non detachable laryngoscope system, secure fit and option to reuse on same patient
- Precisely formed blade shape and atraumatic tip – smooth and superior surface finish
- ISO 7376: 2020 Laryngoscopes, CE marked and made in ISO 13485 certified facility
- Quality laryngoscope – clearly marked and packed “single patient use” product
- Eliminates costly sterilization and cleaning time on laryngoscope system
- Control infection – helps reduce cross infection risks
- Traceable - packed in the dispensing box of 10 units
- Fast and easy removal of battery after usage, may be reused / recycled
- Can be supplied with local language 'Instructions for Use' document



Green Spec Fibre Optic Disposable Laryngoscope- COMBE

Order REF	Blade Size	DESCRIPTION
SM-3310 MIX	Mac 0	Blade + Slim Handle
SM-3311 MIX	Mac 1	Blade + Slim Handle
SM-3312 MIX	Mac 2	Blade + Medium Handle
SM-3313 MIX	Mac 3	Blade + Medium Handle
SM-3314 MIX	Mac 4	Blade + Medium Handle
SM-3315 MIX	Mac 5	Blade + Medium Handle

Green Spec Fibre Optic Disposable Laryngoscope- COMBE

Order REF	Blade Size	DESCRIPTION
SM-33300 MIX	Miller 00	Blade + Slim Handle
SM-3330 MIX	Miller 0	Blade + Slim Handle
SM-3331 MIX	Miller 1	Blade + Slim Handle
SM-3332 MIX	Miller 2	Blade + Medium Handle
SM-3333 MIX	Miller 3	Blade + Medium Handle
SM-3334 MIX	Miller 4	Blade + Medium Handle



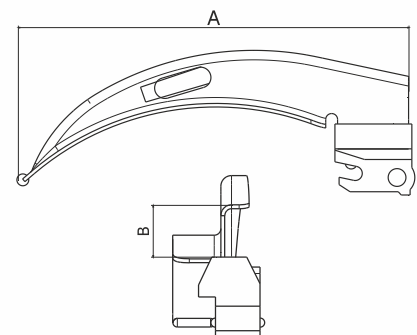
SAVER – MACINTOSH



- Strong, Secure & clear bright light
- Supplied clean - no sterile shelf-life issue
- Economical Metal + Plastic disposable blades
- Stainless steel spatula & latex free, reliable heel
- Supplied in peel off pouch - quick and easy to use
- Eliminate costs, sterilizing & cleaning time on blades
- Control infection - helps eliminate cross infection risks
- Quality blades - clearly marked & packed "Single Patient Use"
- Precisely formed blade tip - smooth and superior surface finish
- Special profile Mac & Miller blades: facilitates user and patient's comfort
- Triple sprung ball bearing - secure fit, option of reuse on same patient
- Traceable blades - correctly labeled & packed, supplied in box of 10 or 20 blade
- ISO 7376:2020 standard, CE marked & fit onto other compatible laryngoscope handles

Green Spec Fibre Optic Disposable Laryngoscope- SAVER

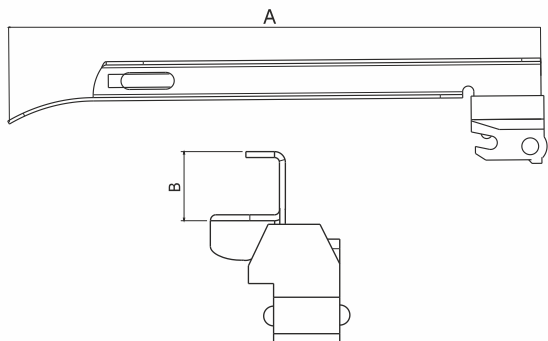
Order REF	Size	Total Length (A)	Proxy Height (B)	Distal width (C)
SM-3310	Mac0	82 mm	15 mm	9 mm
SM-3311	Mac 1	94 mm	16 mm	11.5 mm
SM-3312	Mac2	116 mm	17 mm	14 mm
SM-3313	Mac3	133 mm	17 mm	14 mm
SM-3314	Mac4	159 mm	17 mm	14 mm
SM-3315	Mac5	172 mm	15.5 mm	14 mm



SAVER MILLER



- Strong, Secure & clear bright light
- Supplied clean - no sterile shelf-life issue
- Economical Metal + Plastic disposable blades
- Stainless steel spatula & latex free, reliable heel
- Supplied in peel off pouch - quick and easy to use
- Eliminate costs, sterilizing & cleaning time on blades
- Control infection - helps eliminate cross infection risks
- Quality blades - clearly marked & packed 'Single Patient Use'
- Precisely formed blade tip - smooth and superior surface finish
- Special profile Mac & Miller blades: facilitates user and patient's comfort
- Triple sprung ball bearing - secure fit, option of reuse on same patient
- Traceable blades - correctly labeled & packed, supplied in box of 10 or 20 blade
- ISO 7376:2020 standard, CE marked & fit onto other compatible laryngoscope handles



Green Spec Fibre Optic Disposable Laryngoscope- SAVER

Order REF	Size	Total Length (A)	Proxy Height (B)	Distal width (C)
SM-33300	Miller 00	69 mm	13 mm	11.5 mm
SM-3330	Miller 0	79 mm	13 mm	11.5 mm
SM-3331	Miller 1	102 mm	13 mm	11.5 mm
SM-3332	Miller 2	152 mm	13 mm	13 mm
SM-3333	Miller 3	193 mm	13 mm	13 mm
SM-3334	Miller 4	209 mm	13 mm	13 mm

For information on battery handles, see pages 20-27



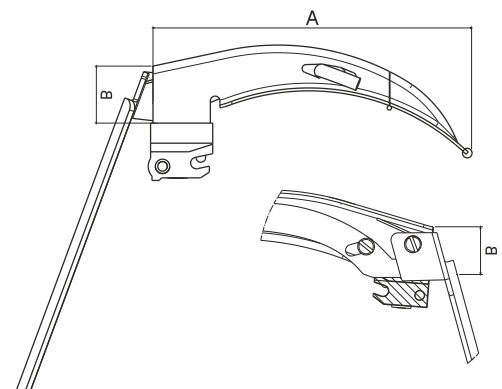
SAVER FLEXION



- The FLEXION is a Macintosh F/O Laryngoscope blade with a tip which is adjustable through 70°. A lever controls the tip angle during intubation to lift the epiglottis, giving a clear view of the vocal cords. Contact with the upper row of teeth and unnecessary pressure on the tongue and soft tissue are avoided.
- Durable metal + rugged plastic construction - Single Patient Use blade for difficult Intubation situations
- Economical throw away design blades
- Unique anti seize, smooth lever mechanism
- Precision welded joints, optimum workmanship
- Natural intense light color for laryngoscopy
- Fully hardened & tempered stainless steel components
- Highly accurate construction, no risk of instrument malfunction
- Triple sprung ball bearings - secure fit & firm blade to handle engagement
- LOT numbered, correctly labeled & supplied in peel off pouch
- ISO 7376:2020 standard, CE marked & fit onto other compatible laryngoscope handles

Moveable Tip Disposable Laryngoscope- SAVER

Order REF	Size	Total Length (A)	Proxy Height (B)	Distal width (C)
SM-3392	Mac 2	114 mm	15.5 mm	14 mm
SM-3393	Mac 3	132.5 mm	17.5 mm	14 mm
SM-3394	Mac 4	157 mm	17.5 mm	14 mm



For information on battery handles, see pages 20-27

VL SCOPE VIDEO LARYNGOSCOPE



VL SCOPE adopts state – of – the – art technique, possesses the advantage of 2.0 Mega Pixels Camera, high resolution full view monitor. Unique anti-fog capacity (no need to wait for pre-heating). Portable ergonomic design, enabling clinicians to improve their chances of first attempt success. Minimizing the injury chance which may occur during the intubation process. A better view of glottis structure.

- Integrated Full View Rotate Angle (up / down / left / right) 3.5" Full color, non- glare display, convenient for users to observe the laryngeal structure.
- Snap Button High-resolution video function with internal 4 GB memory card, recording all the operations in intubation process for training and representing.
- 316 Medical Grade Stainless Steel Blades Easy for sterilization by hydrogen peroxide, gas plasma / cleaner and re-use for 1000 times.
- Blade sizes: Pediatric, Adult, Difficult Airway.
- 2 Mega Pixel Excellent Optics Camera Anti-fog design with LED lights. CMOS camera chip.
- Ergonomic Design Anti-microbial handle, secure grip.
- Micro USB Port Recharging / File uploading.



VL SCOPE – VIDEO LARYNGOSCOPE

Order REF	PRODUCT
SM-VL - 1	MAC - 1
SM-VL - 2	MAC - 2
SM-VL - 3	MAC - 3
SM-VL - 4	MAC - 4
SM-VL - 5	MAC - 5

VL SCOPE – VIDEO LARYNGOSCOPE

Order REF	PRODUCT
SM-VLMIL - 00	MILL - 00
SM-VLMIL - 0	MILL - 0
SM-VLMIL - 1	MILL - 1
VL-234	MAC-2,3,4 + Accessories
VL-34	MAC-3,4 + Accessories
VL-45	MAC-4,5 + Accessories





• ISO FIBER OPTIC HANDLES

- Scope ISO Fiber Optic Laryngoscope Reprocess able Handles are equipped with patented Eco Friendly LED lamp technology to provide you an “Industry Superior” Laryngoscope handle illumination
- With this innovative illumination technology - Scope F/O Laryngoscope range are now further ahead of other Fiber Optic Laryngoscope blade & handles than ever
- The versatile Scope F/O Laryngoscope range of handles offers the right alternative for almost any combination of blades to various handle diameters and lengths
- Hyper LED in these handles offer “industry superior” bright light in excess of 9,500 lux powered by normal alkaline batteries
- Compatible to all ISO 7376 – Green standard laryngoscope blades
- CE & LOT number permanently etched for traceability & warranty claims
- Individual handles are supplied in suitable long life paper boxes or with blades in set combinations
- All laryngoscopes are indigenously manufactured in our ISO 9001:2015 & ISO 13485:2016 certified facility in INDIA
- Our factory is audited for Laryngoscope production by US-FDA, and is listed with UK-MHRA, JAPAN HEALTH MINISTRY

HYPER LED REUSABLE SATIN FINISH



- Soft knurled handle surface for hygienic usage and secure grip in hand
- Durable metal contacts for activating ON OFF switch on handle
- Quick and easy approach for lamp & battery replacement
- Enhanced contrast – Hyper LED '5' times brighter than 2.6v Xenon bulb
- Hyper LED F/O Laryngoscope handles produces exceptional high intensity 9,500 Lux
- White light LED illumination with a reference color temperature of 6,500 Kelvin
- LED working life: 50,000 hours. Lifelong service – don't stock expensive replacement lamps pack
- White LED light is similar to daylight and provides homogenous light over the whole examination site
- Low battery consumption by LED – Reducing carbon foot prints and save on recurring battery costs
- LED lamps are always cool – Extending life of Fiber optics & no thermal burn injuries to doctors / patients
- Handles made of high-quality Brass in chrome mint finish, available in 3 regular sizes: Medium, Slim & Stubby
- Hyper LED F/O Laryngoscope handles are compatible to all green standard blades made as per ISO 7376: 2020 specs

Hyper LED F.O. Laryngoscope handle can be sterilized or autoclaved and are also compatible with Sterrad® and other low temperature sterilization procedures

SATIN FINISH – Fibre Optic Reusable

Order REF	Size	Battery
SM-321 L7	Slim	2 x AA
SM-322 L7	Medium	2 x C
SM-323 L7	Stubby	2 x AA

HYPER LED REUSABLE STAINLESS STEEL



- Soft knurled handle surface for hygienic usage and secure grip in hand
- Durable metal contacts for activating ON OFF switch on handle
- Quick and easy approach for lamp & battery replacement
- Enhanced contrast – Hyper LED '5' times brighter than 2.6v Xenon bulb
- Hyper LED F/O Laryngoscope handles produces exceptional high intensity 9,500 Lux
- White light LED illumination with a reference color temperature of 6,500 Kelvin
- LED working life: 50,000 hours. Lifelong service – don't stock expensive replacement lamps pack
- White LED light is similar to daylight and provides homogenous light over the whole examination site
- Low battery consumption by LED – Reducing carbon foot prints and save on recurring battery costs
- LED lamps are always cool – Extending life of Fiber optics & no thermal burn injuries to doctors / patients
- Handles made of high-quality Stainless Steel matt finish, available in 3 regular sizes: Medium, Slim & Stubby
- Hyper LED F/O Laryngoscope handles are compatible to all green standard blades made as per ISO 7376: 2020 specs

Hyper LED F.O. Laryngoscope handle can be sterilized or autoclaved and are also compatible with Sterrad® and other low temperature sterilization procedures



STEEL MATT FINISH – Fibre Optic Reusable

Order REF	Size	Battery
SM-321 L6	Slim	2 x AA
SM-322 L6	Medium	2 x C
SM-323 L6	Stubby	2 x AA



BRIGHT LED SINGLE PATIENT USE



- All metal premium quality Single Patient Use Fiber optic LED handles
- Value for money without any compromise on product quality and durability
- Super strong & rigid – looks and feel of multiple use handle
- Distinctly identifiable spiral design handle grip
- Supplied clean - no sterile shelf-life issue
- Option of two regular sizes - Slim & Medium
- Quality handles with CE marking & packed "single patient use"
- LOT number printed handles, packed in per size box
- Traceable handles – correctly labeled & packed, supplied in box of 10 or 20 handles
- ISO 7376:2020 standard, CE marked & fit onto other's compatible laryngoscope blades



BRIGHT LED – Fibre Optic SPU Handles

Order REF	Size	Battery
SM-330 L7	Slim	2 x AA
SM-337 L7	Medium	2 x C

ECO LED SINGLE PATIENT USE



- Battery pre-loaded into handles – ready for use.
- Handles can be tested within pouch – without actually opening it.
- Durable metal + rugged plastic construction handles
- Economical throw away Fiber optic LED design handle
- Value for money – no compromise on product quality and performance
- Super strong & rigid - looks and feel of multiple use handle
- Option of three regular sizes – Slim, Medium & Stubby
- ISO 7376:2020 standard, CE marked & fit onto other compatible laryngoscope blades
- Quality handles - marked & packed "single patient use"
- Supplied clinically clean - no sterile shelf life 3 years
- Traceable handles - correctly labeled & packed, supplied in box of 10 or 20 handles



ECO LED – Fibre Optic SPU Handles

Order REF	SIZE	Material
SM-343BL6	Slim	Aluminum
SM-341BL6	Medium	Aluminum
SM-342BL6	Stubby	Aluminum
SM-341CX2P	Medium	Plastic
SM-341STR	Medium	Aluminum

RECHARGEABLE REUSABLE



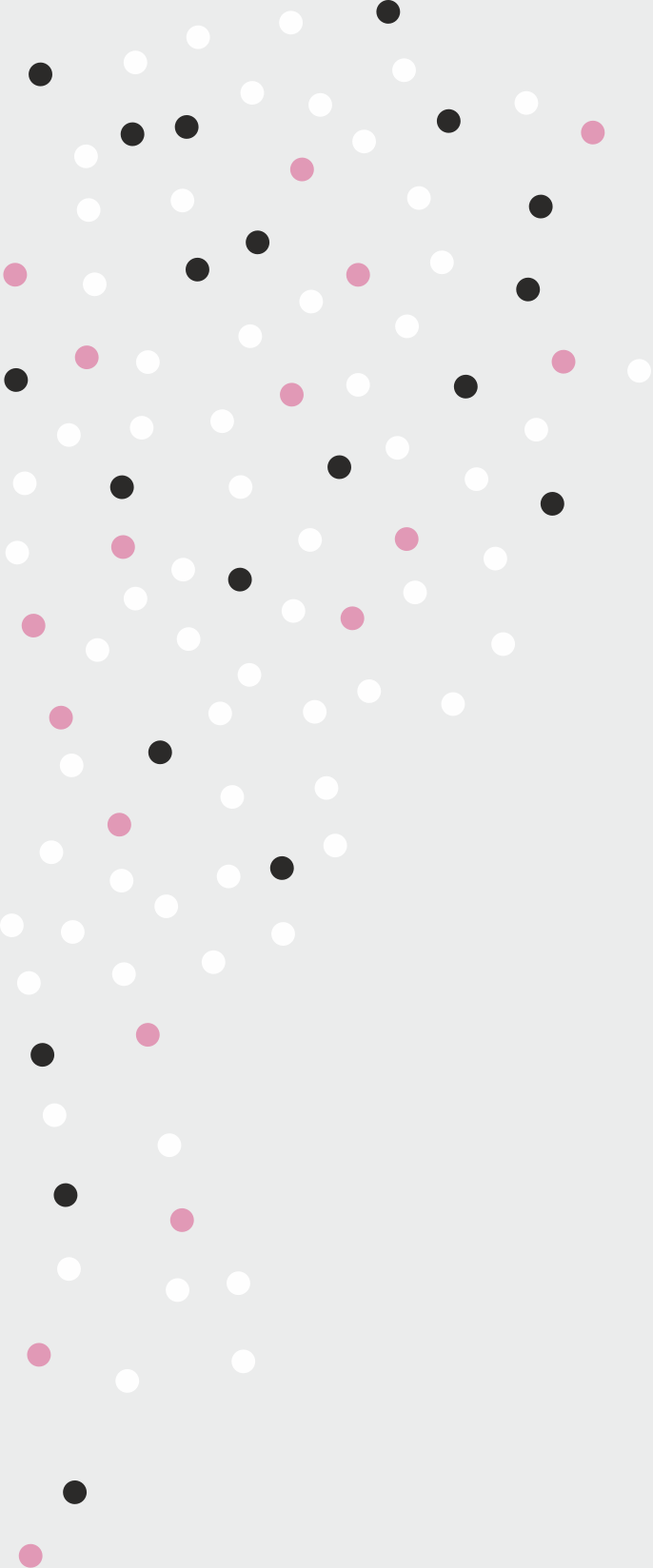
- Rechargeable Laryngoscope Handles powered by Lithium – Ion 3.6v battery and charger
- Impulse charging technology prolongs the service life of the rechargeable battery
- After each use, Laryngoscope handles may be connected for recharge so that they remain operational at all times
- Superiority quality performance and simple charge design: save on unnecessary cost expenditure of having additional charge base
- Medium handle with rechargeable battery loaded into them can be charged through charger
- Function: If the rechargeable battery is partially discharged, the brightness reduces automatically to 33%. It is still bright enough to intubate (like a handle with halogen bulb) but reminds you to recharge soon
- Duration: 90 Minutes charging time provides 5 hours working time
- Charger has inbuilt over charge circuit breaker, this will automatically disconnect charging after the battery is fully charged
- If different voltages or country – specific plugs are needed, we request you to give us exact details during your enquiries and orders



Rechargeable Reusable

Order REF	SIZE
SM-325 L7	Medium
SM-325 L6	Medium







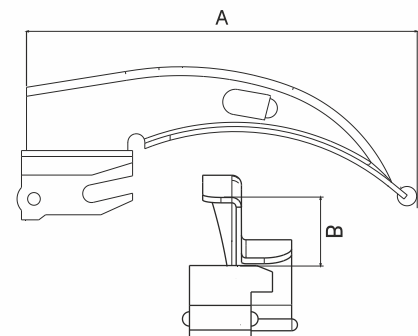
METALED MACINTOSH



- Economical bulb on blade 'Single Patient Use' Laryngoscope system
- Always cool LED light, no heat related injuries to patients
- Natural optimum intense light color of illumination
- Plastic heel on low height steel spatula - facilitates better visuals
- Supplied clean - no sterile shelf-life issue
- Supplied in peel off pouch - quick and easy to use
- Eliminate costs, sterilizing & cleaning time on blades
- Control infection, helps eliminate cross infection risks
- Quality blades - clearly marked & packed 'Single Patient Use'
- Correctly formed blade tip - smooth and superior surface finish
- Triple sprung ball bearing - secure fit, option of reuse on same patient
- Correctly labeled & packed, supplied in box of 10/20 pcs
- ISO 7376:2020 standard, CE marked & fit onto other's compatible laryngoscope handles

Conventional Disposable Laryngoscope- MetaLED

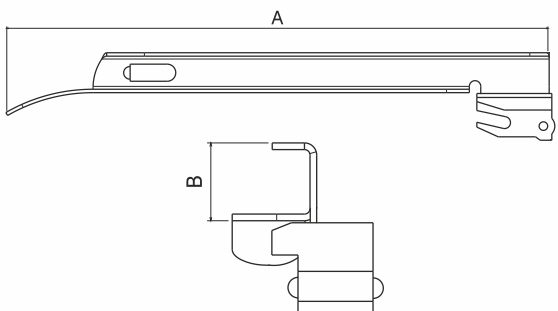
Order REF	Size	Total Length (A)	Proxy Height (B)	Distal width (C)
SM-1310	Mac 0	83 mm	15 mm	9 mm
SM-1311	Mac 1	95 mm	16 mm	11.5 mm
SM-1312	Mac 2	116 mm	17 mm	14 mm
SM-1313	Mac 3	134 mm	17 mm	14 mm
SM-1314	Mac 4	159 mm	17 mm	14 mm
SM-1315	Mac 5	172 mm	15 mm	14 mm



METALED MILLER



- Economical bulb on blade 'Single Patient Use' Laryngoscope system
- Always cool LED light, no heat related injuries to patients
- Natural optimum intense light color of illumination
- Plastic heel on low height steel spatula - facilitates better visuals
- Supplied clean - no sterile shelf-life issue
- Supplied in peel off pouch - quick and easy to use
- Eliminate costs, sterilizing & cleaning time on blades
- Control infection, helps eliminate cross infection risks
- Quality blades - clearly marked & packed 'Single Patient Use'
- Correctly formed blade tip - smooth and superior surface finish
- Triple sprung ball bearing - secure fit, option of reuse on same patient
- Correctly labeled & packed, supplied in box of 10/20 pcs
- ISO 7376:2020 standard, CE marked & fit onto other's compatible laryngoscope handles



Conventional Disposable Laryngoscope - MetaLED

Order REF	Size	Total Length (A)	Proxy Height (B)	Distal width (C)
SM-13300	Miller00	70 mm	13 mm	11.5 mm
SM-1330	Miller0	76 mm	13 mm	11.5 mm
SM-1331	Miller1	102 mm	13 mm	11.5 mm
SM-1332	Miller2	154 mm	13 mm	13 mm
SM-1333	Miller3	194 mm	13 mm	13 mm
SM-1334	Miller4	210 mm	13 mm	13 mm

For information on battery handles, see pages 38-43



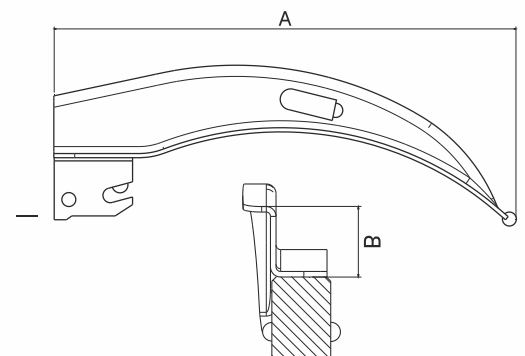
METALED 100 MACINTOSH



- All stainless-steel premium quality 'Single Patient Use' blades
- Natural optimum and intense light color of illumination
- Low blade heel - facilitates better visuals
- Supplied clean - no sterile shelf-life issue
- Packed in peel off pouch - quick and easy to use
- Eliminate costs, sterilizing & cleaning time on blades
- Control infection, helps eliminate cross infection risks
- Always cool LED light, no heat related injuries to patients
- Super strong & rigid - looks and feel of Reprocessable blades
- Quality product - clearly marked & packed 'Single Patient Use'
- Correctly formed blade tip - smooth and superior surface finish
- Special profile Mac & Miller blades: facilitates user and patient comfort
- Triple sprung ball bearing - secure fit, option of reuse on same patient
- LOT number printed blades - correctly labeled & packed, supplied in box of 10 or 20 blade
- ISO 7376:2020 standard, CE marked & fit onto other compatible laryngoscope handles

Conventional Disposable Laryngoscope- MetaLED-100

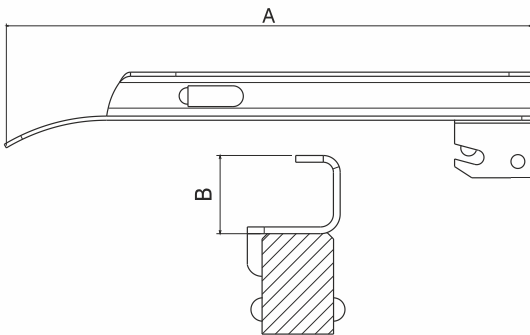
Order REF	Size	Total Length (A)	Proxy Height (B)	Distal width (C)
SM-1510	Mac 0	82 mm	13.5 mm	9 mm
SM-1511	Mac 1	92 mm	15.5 mm	11.5 mm
SM-1512	Mac 2	114 mm	16.5 mm	14 mm
SM-1513	Mac 3	133 mm	18.5 mm	14 mm
SM-1514	Mac 4	158 mm	19 mm	14 mm
SM-1515	Mac 5	174 mm	14 mm	14 mm



METALED 100 MILLER



- All stainless-steel premium quality 'Single Patient Use' blades
- Natural optimum and intense light color of illumination
- Low blade heel - facilitates better visuals
- Supplied clean - no sterile shelf-life issue
- Packed in peel off pouch - quick and easy to use
- Eliminate costs, sterilizing & cleaning time on blades
- Control infection, helps eliminate cross infection risks
- Always cool LED light, no heat related injuries to patients
- Super strong & rigid - looks and feel of Reprocessable blades
- Quality product - clearly marked & packed 'Single Patient Use'
- Correctly formed blade tip - smooth and superior surface finish
- Special profile Mac & Miller blades: facilitates user and patient comfort
- Triple sprung ball bearing - secure fit, option of reuse on same patient
- LOT number printed blades - correctly labeled & packed, supplied in box of 10 or 20 blade
- ISO 7376:2020 standard, CE marked & fit onto other compatible laryngoscope handles



Conventional Disposable Laryngoscope- MetaLED-100

Order REF	Size	Total Length (A)	Proxy Height (B)	Distal width (C)
SM-15300	Miller 00	65 mm	12 mm	11.5 mm
SM-1530	Miller 0	76 mm	12 mm	11.5 mm
SM-1531	Miller 1	100 mm	12 mm	11.5 mm
SM-1532	Miller 2	152 mm	13 mm	13 mm
SM-1533	Miller 3	190 mm	13 mm	13 mm
SM-1534	Miller 4	207 mm	13 mm	13 mm

For information on battery handles, see pages 38-43

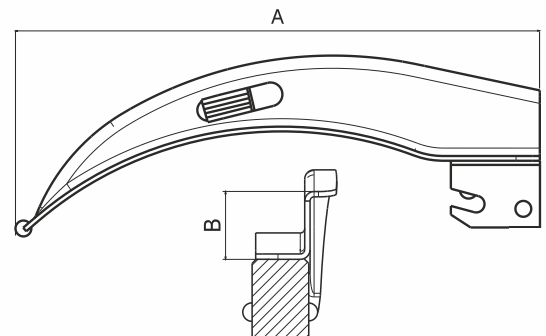
STANDARD MACINTOSH



- STANDARD LED blade brings new meaning to reliability & performance in conventional Laryngoscopes
- No gaps, pitting or holes – further enhance sterilization protection and reduce cross infection chances
- No flickering or low light issues – thanks to precision welded joints and superior electrical contacts
- Precision blades heel – ensures consistent contact between battery and LED lamp
- All blades made of premium grade stainless steel in matt finish
- Lifelong LED working life: 10,000 hours, virtually fail proof lamps
- Enhanced contrast: LED 2.5 times brighter than vacuum krypton lamps
- LED lamps are always cool: No thermal burn injuries to doctors or patients
- Low battery consuming LED: Reduce carbon foot prints & save on recurring battery costs
- Smooth shape: no sharp edges or cavities, easy to clean and disinfect
- Distal lip of all STANDARD LED blades feature a special non traumatic profile
- LED opening window – provide enough space for LED removal & refit upon cleaning
- Tested to withstand 1000 standard Autoclave cycles of 134°C/3 minutes

Conventional Reusable Laryngoscope- STANDARD

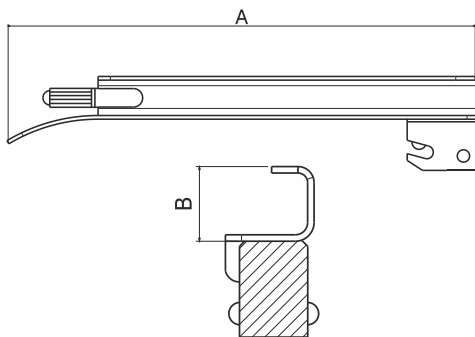
Order REF	Size	Total Length (A)	Proxy Height (B)	Distal width (C)
SM-1210	Mac 0	82 mm	13.5 mm	9 mm
SM-1211	Mac 1	92 mm	15.5 mm	11.5 mm
SM-1212	Mac 2	114 mm	16.5 mm	14 mm
SM-1213	Mac 3	133 mm	18.5 mm	14 mm
SM-1214	Mac 4	158 mm	19 mm	14 mm
SM-1215	Mac 5	174 mm	14 mm	14 mm



STANDARD MILLER



- STANDARD LED blade brings new meaning to reliability & performance in conventional Laryngoscopes
- No gaps, pitting or holes – further enhance sterilization protection and reduce cross infection chances
- No flickering or low light issues – thanks to precision welded joints and superior electrical contacts
- Precision blades heel – ensures consistent contact between battery and LED lamp
- All blades made of premium grade stainless steel in matt finish
- Lifelong LED working life: 10,000 hours, virtually fail proof lamps
- Enhanced contrast: LED 2.5 times brighter than vacuum krypton lamps
- LED lamps are always cool: No thermal burn injuries to doctors or patients
- Low battery consuming LED: Reduce carbon foot prints & save on recurring battery costs
- Smooth shape: no sharp edges or cavities, easy to clean and disinfect
- Distal lip of all STANDARD LED blades feature a special non traumatic profile
- LED opening window – provide enough space for LED removal & refit upon cleaning
- Tested to withstand 1000 standard Autoclave cycles of 134°C/3 minutes



Conventional Reusable Laryngoscope- STANDARD

Order REF	Size	Total Length (A)	Proxy Height (B)	Distal width (C)
SM-12300	Miller 00	65 mm	12 mm	11.5 mm
SM-1230	Miller 0	76 mm	12 mm	11.5 mm
SM-1231	Miller 1	100 mm	12 mm	11.5 mm
SM-1232	Miller 2	152 mm	13 mm	13 mm
SM-1233	Miller 3	190 mm	13 mm	13 mm
SM-1234	Miller 4	207 mm	13 mm	13 mm

For information on battery handles, see pages 38-43

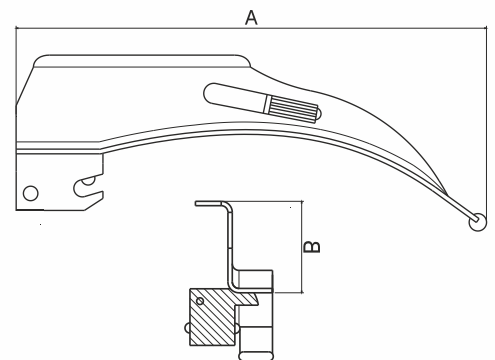
STANDARD AMERICAN MAC



- STANDARD LED blade brings new meaning to reliability & performance in conventional Laryngoscopes
- No gaps, pitting or holes – further enhance sterilization protection and reduce cross infection chances
- No flickering or low light issues – thanks to precision welded joints and superior electrical contacts
- Precision blades heel – ensures consistent contact between battery and LED lamp
- All blades made of premium grade stainless steel in matt finish
- Lifelong LED working life: 10,000 hours, virtually fail proof lamps
- Enhanced contrast: LED 2.5 times brighter than vacuum krypton lamps
- LED lamps are always cool: No thermal burn injuries to doctors or patients
- Low battery consuming LED: Reduce carbon foot prints & save on recurring battery costs
- Smooth shape: no sharp edges or cavities, easy to clean and disinfect
- Distal lip of all STANDARD LED blades feature a special non traumatic profile
- LED opening window – provide enough space for LED removal & refit upon cleaning
- Tested to withstand 1000 standard Autoclave cycles of 134°C/3 minutes

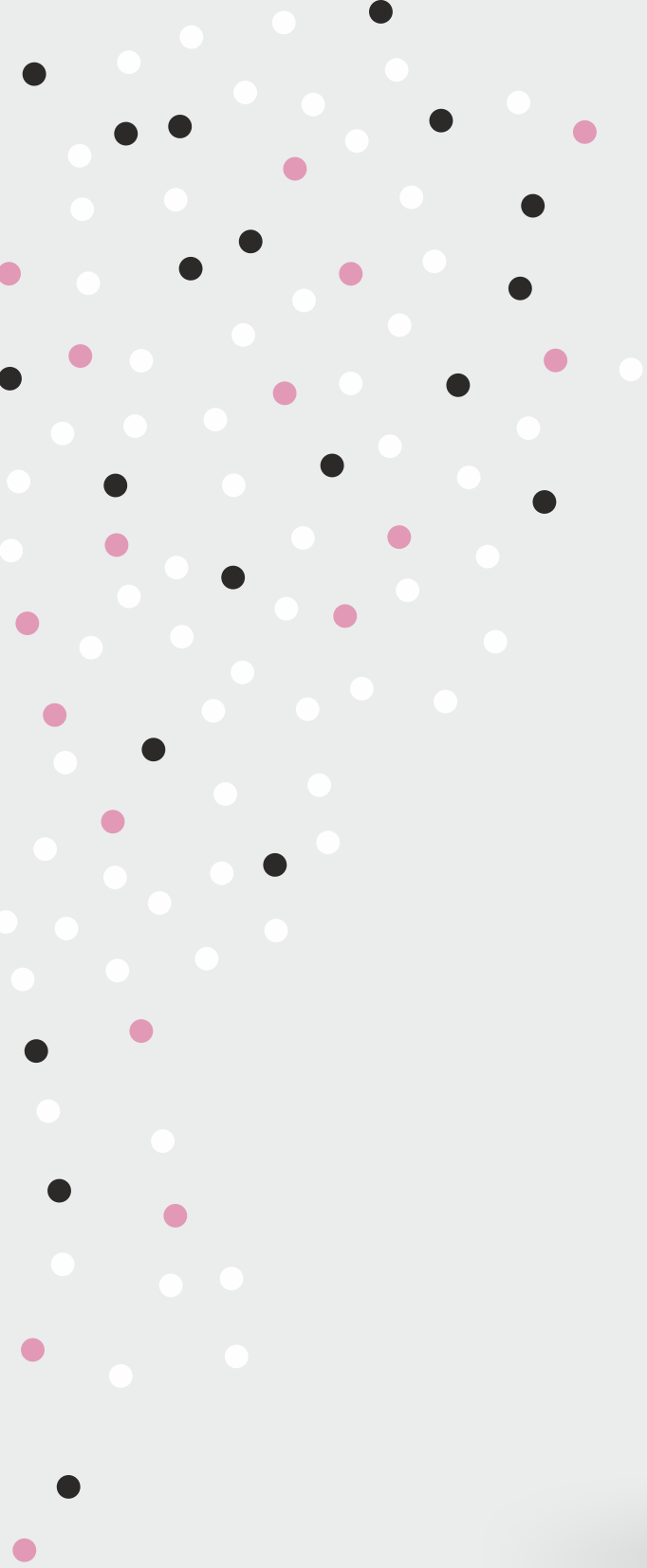
Conventional Reusable Laryngoscope- STANDARD

Order REF	Size	Total Length (A)	Proxy Height (B)	Distal width (C)
SM-12A0	A.Mac 0	83 mm	15 mm	9.5 mm
SM-12A1	A.Mac 1	91 mm	15 mm	9.5 mm
SM-12A2	A.Mac 2	111 mm	19.5 mm	12.5 mm
SM-12A3	A.Mac 3	134 mm	24 mm	14.5 mm
SM-12A4	A.Mac 4	161 mm	24 mm	15 mm



For information on battery handles, see pages 38-43





• ISO CONVENTIONAL HANDLES

- Scope Conventional Laryngoscope handles feature plated contacts to ensure handles are free from “corrosion Issues”
- Stainless steel reusable handles and contacts that are lifelong
- Rechargeable conventional handles supplied with lithium – ION battery and charger
- With these innovative engineering solutions - Scope Conventional Laryngoscope handles are now further ahead of other conventional Laryngoscope handles than ever
- Scope Single Patient Use Laryngoscope handles are easily identifiable with Black ring on handles
- Scope Laryngoscope handles are made according to ISO 7376:2020 Specifications.
- Handles supplied individually or in sets with suitable long-life foam padded carry cases
- Versatile range of Laryngoscope handles offers the right alternative for almost any combination of blades to various handle diameters and lengths



STANDART – REUSABLE



- High Quality soft knurled handle surface - hygienic usage & secure grip in hand
- CE marked and labeled with LOT number for traceability and warranty claims
- Practically wear-free, standard holding fixture for warm light & latest LED light blades
- Closed battery handles resist liquids penetration inside the battery compartment
- Durable metal contacts for activating ON OFF switch on handle, no corrosion issues
- Laryngoscope handles can be autoclaved and are compatible with other sterilization procedures
- Handles made of high-quality Brass in chrome mint finish, available in 3 regular sizes: Medium, Small & Stubby
- Handles made of high-quality Stainless Steel in matt finish, available in 3 regular sizes: Medium, Small & Stubby
- Laryngoscope handles are compatible to ISO standard handles made as per ISO 7376: 2020 specs
- Laryngoscope handle can be sterilized or autoclaved and are also compatible with Sterrad® and other low-temperature sterilization procedures.

Steel Matt Finish Handles – Reusable

Order REF	Size	Battery
SM-191 C6	Slim	2 x AA
SM-192 C6	Medium	2 x C
SM-193 C6	Stubby	2 x AA

CONVENTIONAL SINGLE PATIENT USE



- All metal premium quality Single Patient Use handles
- Distinctly identifiable spiral design handle grip
- Super strong & rigid - looks and feel of multiple use handle
- Option of two regular sizes - small & medium
- Eliminate costs, sterilizing & cleaning time on handles
- Quality handles with CE marking & packed "single patient use"
- Supplied clean - no sterile shelf-life issue
- Control infection, helps eliminate cross infection risks
- Value for money without any compromise on product quality and durability
- LOT number printed - correctly labeled & packed, supplied in box of 10 or 20 blade
- Handles can be supplied in shiny Anodized look (Reference pic: Medium Handle) or Shot Blasted Matt look (Reference pic: Slim Handle)



Conventional SPU Handles

Order REF	Size	Battery
SM-131 C6	Slim	2 x AA
SM-132 C6	Medium	2 x C

RECHARGEABLE REUSABLE

- Rechargeable Laryngoscope Handles powered by Lithium – Ion 3.6v battery and charger
- Impulse charging technology prolongs the service life of the rechargeable battery
- After each use, Laryngoscope handles may be connected for recharge so that they remain operational at all times
- Superiority: quality performance and simple charge design: save on unnecessary cost expenditure of having additional charge base
- Medium handle with rechargeable battery loaded into them can be charged through charger
- Function: If the rechargeable battery is partially discharged, the brightness reduces automatically to 33%. It is still bright enough to intubate (like a handle with halogen bulb) but reminds you to recharge soon
- Duration: 90 Minutes charging time provides 5 hours working time
- Charger has inbuilt over charge circuit breaker, this will automatically disconnect charging after the battery is fully charged
- If different voltages or country – specific plugs are needed, we request you to give us exact details during your enquiries and orders



Rechargeable Reusable

Order REF	Size	Finish
SM-125 C6	Medium	Matt Steel
SM-125 C7	Medium	Satin Brass







❖ MRI Suite Laryngoscope

- The Best reasonably priced MR Conditional Laryngoscope kit
- To afford clinicians a solution for safe intubations within the magnetic resonance suite
- Supplied with high-power Battery for maximum illumination in the MRI Suite
- Life Long LED lamps reduces the drain on your budget and eliminates costs of replacement lamps
- MR Conditional Fiber Optic handles are built with textured surface to ensure durability and long life
- Specially designed, ISO green specification, low-magnetic Fiber Optic Laryngoscope System with “industry Superior” bright white Hyper LED light
- Distinctly identifiable golden Fiber Optic Light Guides on silver blades and silver mint handle design - reduces risk of incompatible equipment getting into the MRI suite

❖ Warning Statement

- Scope MR Conditional Laryngoscope was determined to be MR Conditional according to the terminology specified in the American Society for Testing and Materials (ASTM) International, Designation: F2503. Standard Practice for Marking Medical Devices and other items for Safety in the Magnetic Resonance Environment
- Fiber optic Laryngoscope handle (handle head, barrel, carbon-zinc battery / blue battery pack, contact and springs are non-magnetic) suitably marked
- Fiber-optic laryngoscope blades suitably marked (stainless steel green specification blades)
- Non-clinical testing demonstrated that these devices are MR Conditional according to the following conditions:
- Static magnetic field of 3-Tesla or less

Highest spatial gradient field of 720-Gauss/cm or less





MACINTOSH

- Tested & demonstrated to be MR Conditional for magnetic field interactions at 3.0 TESLA with highest spatial gradient field of 720 gauss / cm or less
- Special metallic handle & non-magnetic steel blades are developed and approved for MRI suite
- Distinctly identifiable - reduces risk of incompatible instruments getting into MRI suites
- Longest performing lithium non-magnetic battery – best for MRI environment
- Color coded blades feature golden fiber optic tubes & silver handles
- Ultimate brightness – LED light fiber optic ISO 7376:2020 green specs handles
- Special symbolic printed blades & handles, supplied in choices of set & individuals
- Blades profile - English Mac, American Mac, Miller, Wisconsin and other popular blade designs

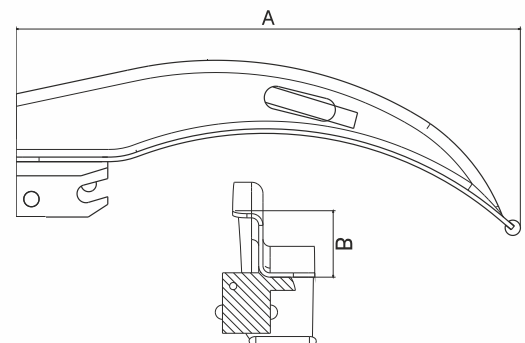


Important Note:

These devices are not intended for use during the operation of an MR system for an MR imaging procedure.

Fibre Optic Reusable Laryngoscope- MR CONDITIONAL

Order REF	Size	Total Length (A)	Proxy Height (B)	Distal width (C)
SM-3220	Mac 0	81 mm	13.5 mm	9 mm
SM-3221	Mac 1	92 mm	16 mm	11.5 mm
SM-3222	Mac 2	114 mm	16 mm	14 mm
SM-3223	Mac 3	132 mm	19 mm	14 mm
SM-3224	Mac 4	157 mm	19.5 mm	14 mm
SM-3225	Mac 5	174 mm	14 mm	14 mm



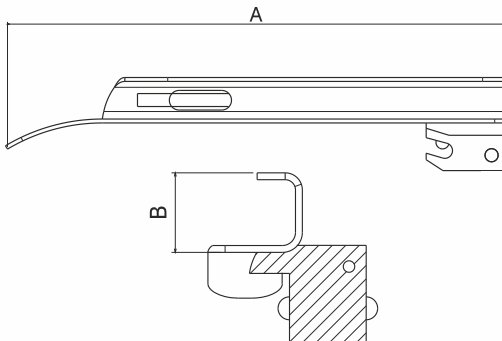
MILLER



- Tested & demonstrated to be MR Conditional for magnetic field interactions at 3.0 TESLA with highest spatial gradient field of 720 gauss / cm or less
- Special metallic handle & non-magnetic steel blades are developed and approved for MRI suite
- Distinctly identifiable - reduces risk of incompatible instruments getting into MRI suites
- Longest performing lithium non-magnetic battery – best for MRI environment
- Color coded blades feature golden fiber optic tubes & silver handles
- Ultimate brightness – LED light fiber optic ISO 7376:2020 green specs handles
- Special symbolic printed blades & handles, supplied in choices of set & individuals
- Blades profile - English Mac, American Mac, Miller, Wisconsin and other popular blade designs

Important Note:

These devices are not intended for use during the operation of an MR system for an MR imaging procedure.



Fibre Optic Reusable Laryngoscope- MR CONDITIONAL

Order REF	Size	Total Length (A)	Proxy Height (B)	Distal width (C)
SM-32400	Miller 00	67 mm	12 mm	11.5 mm
SM-3240	Miller 0	76 mm	12 mm	11.5 mm
SM-3241	Miller 1	100 mm	12 mm	11.5 mm
SM-3242	Miller 2	148 mm	13.5 mm	13 mm
SM-3243	Miller 3	189 mm	13.5 mm	13 mm
SM-3244	Miller 4	207 mm	13.5 mm	13 mm

For information on battery handles, see pages 50



AMERICAN MAC



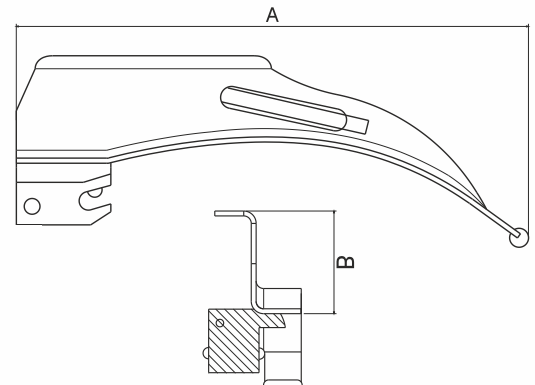
- Tested & demonstrated to be MR Conditional for magnetic field interactions at 3.0 TESLA with highest spatial gradient field of 720 gauss / cm or less
- Special metallic handle & nonmagnetic steel blades are developed and approved for MRI suite
- Distinctly identifiable - reduces risk of incompatible instruments getting into MRI suites
- Longest performing lithium nonmagnetic battery – best for MRI environment
- Color coded blades feature golden fiber optic tubes & silver handles
- Ultimate brightness – LED light fiber optic ISO 7376:2020 green specs handles
- Special symbolic printed blades & handles, supplied in choices of set & individuals
- Blades profile - English Mac, American Mac, Miller, Wisconsin and other popular blade designs

Important Note:

These devices are not intended for use during the operation of an MR system for an MR imaging procedure.

Fibre Optic Reusable Laryngoscope- MR CONDITIONAL

Order REF	Size	Total Length (A)	Proxy Height (B)	Distal width (C)
SM-32A0	A.Mac 0	83 mm	15 mm	9.5 mm
SM-32A1	A.Mac 1	91 mm	15 mm	9.5 mm
SM-32A2	A.Mac 2	111 mm	19.5 mm	12.5 mm
SM-32A3	A.Mac 3	134 mm	24 mm	14.5 mm
SM-32A4	A.Mac 4	161 mm	24 mm	15 mm

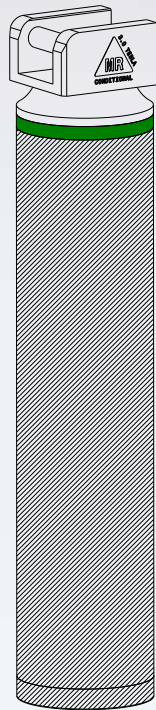


For information on battery handles, see pages 50





MR CONDITIONAL HANDLES



- Enhanced contrast – Hyper LED '5' times brighter than 2.6v Xenon bulb
- Hyper LED F/O Laryngoscope handles produces exceptional high intensity 9,500 Lux
- White light LED illumination with a reference color temperature of 6,500 Kelvin
- LED working life: 50,000 hours. Lifelong service – don't stock expensive replacement lamps pack
- White LED light is similar to daylight and provides homogenous light over the whole examination site
- Low battery consumption by LED – Reducing carbon foot prints and save on recurring battery costs
- LED lamps are always cool – Extending life of Fiber optics & no thermal burn injuries to doctors / patients
- Handles made of high-quality NON-MAGNETIC materials, available in Medium & Short sizes
- Hyper LED F/O handles are compatible with all green standard blades made as per ISO 7376: 2020 specs
- Hyper LED F/O handle can be autoclaved and are compatible with low-temperature sterilization procedures

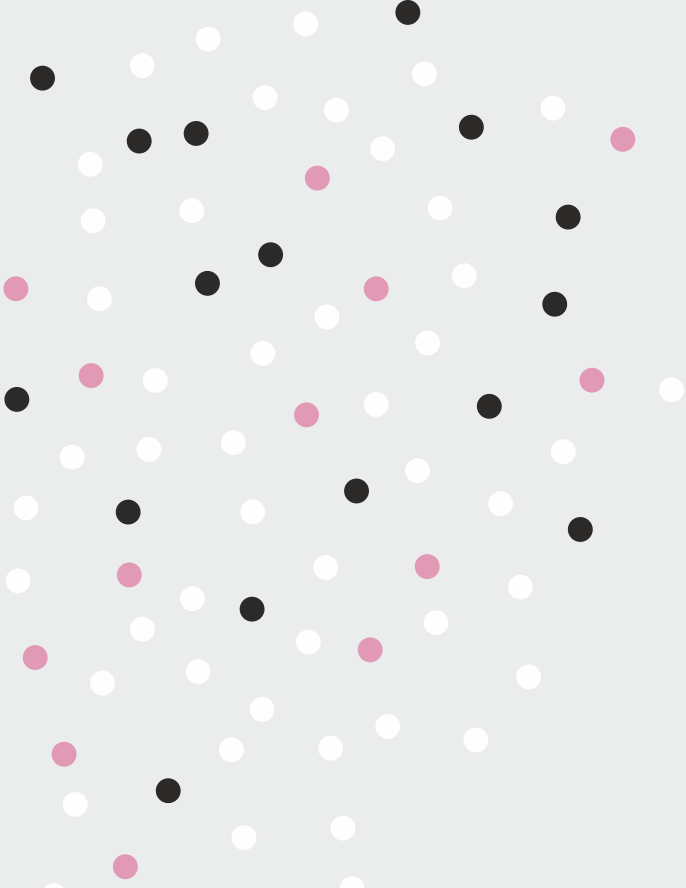
MRI Suite Handles - Reusable

Order REF	SIZE
SM-326 H9	Short
SM-325 H9	Medium
SM-35887	Both



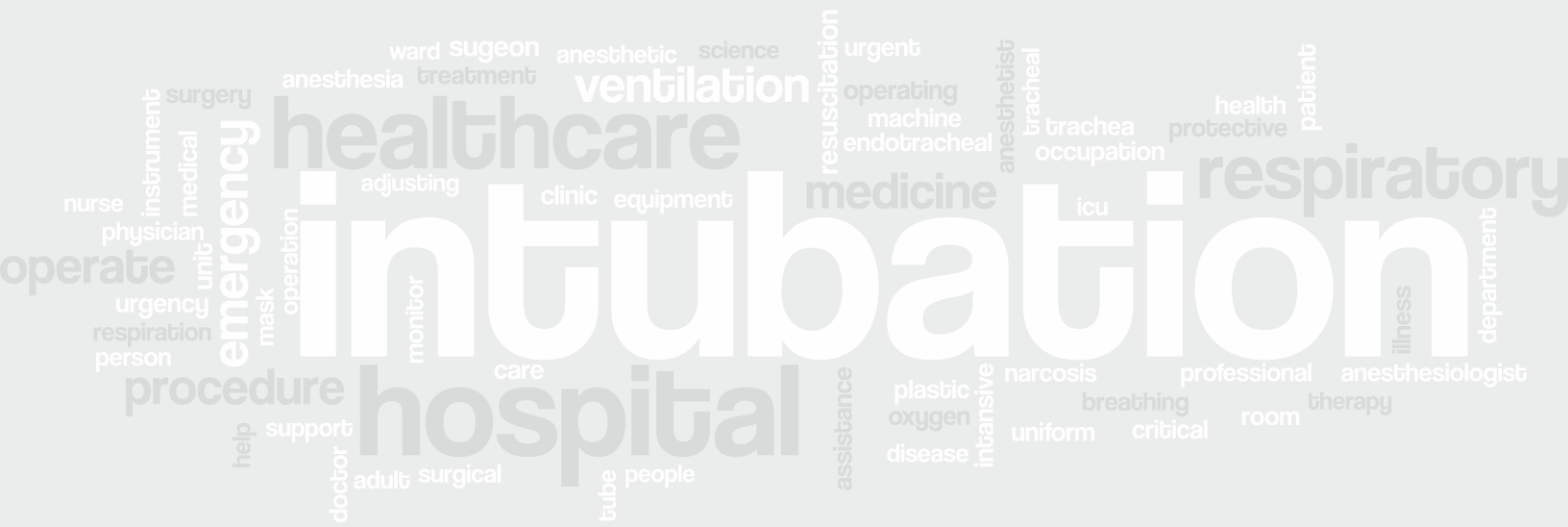
MR CONDITIONAL BATTERY

- Primary chemistry - non-rechargeable battery
- Low self-discharge rate 5% per year at 25°C
- Advance NON-MAGNETIC technology
- Wide operating temperature range
- Safe and secure plastic container
- High rated capability



PACKING OPTIONS





Laryngoscopes are packed as per customer requirements. Besides the Plastic cases – we offer premium quality, durable Paper boxes for Individual scopes or disposable packs as depicted here.



One Unit
Paper Box suitable and labeled to accommodate One Reusable Blade or Handle of any one size.



Box of 10
Paper Box suitable and labeled to accommodate 10 Disposable Blades or Handles of any one size.



Box of 20
Paper Box suitable and labeled to accommodate 20 Disposable Blades or Handles of any one size.

MR CONDITIONAL KITS



Sets available as per customer requirements; Popular combination of blades + handles kits are depicted here with various box options



F-3236-8



Set with Mac 1,2,3,4 Blades + 2 Batteries + Medium Handle in Case

F-3598-8



Set with Mac 2,3,4 & Miller 0,1 Blades + 2 Batteries + Medium Handle in Case



Sunny Yellow



Water Blue



Silver Grey



Scenic Green

C-1210-7



Standard Set with Mac 1,2,3,4 Blades +
Medium Handle in Case

C-1248-6



Standard Set with Mac 1,2,3,4 Blades +
Rechargeable battery/charger + Medium Handle in Case

F-3225-6



Integrated Set with Mac 1,2,3,4 Blades +
Hyper LED Medium Handle in Case

F-3298-7



Integrated Flexion Kit, Mac 3 & 4 Blades+
Medium Hyper LED Handle in Case

LARYNGOSCOPE KITS



F-3592-7



Modular Set with Mac 1,2,3,4 Blades +
Rechargeable battery/charger + Hyper LED Medium Handle in Case

F-3212-6



Modular Set with Mac 0,1,2,3,4,5 Blades +
Hyper LED Medium Handle in Case

F-3201-7



Modular Set with Miller 00,0,1 Blades +
Hyper LED Slim Handle in Case

C-3551-6



Metaled 100 Set with Mac 1,2,3,4 Blades +
Medium Handle in Zip Pouch

Specifications are subject to change without prior notice



GOOD. BETTER. **SCOPE**

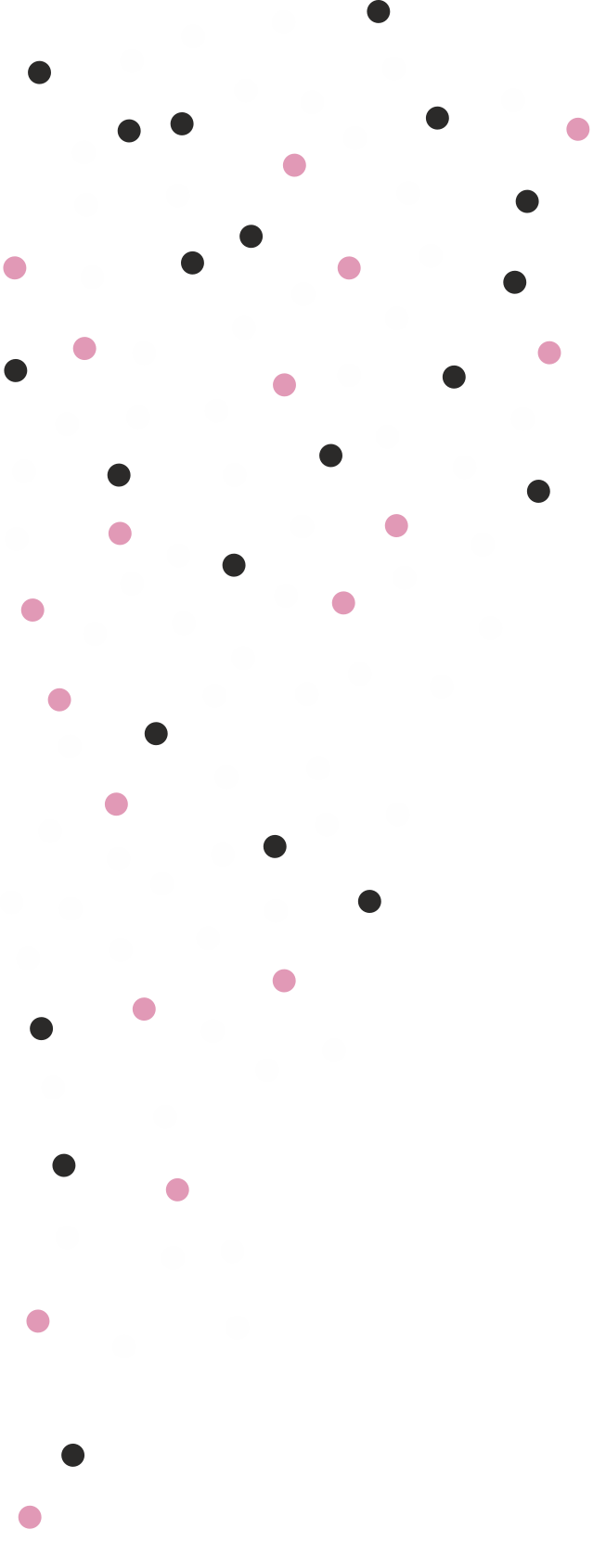


15 YEARS
2006 - 2021

ISO
13485:2016

US FDA
AUDITED





.....

Scope Medical Devices Private Limited

11/10 Mandhour Industrial Area, Ambala City 134 003 INDIA

Phone : +91-7082 402 685, 7082 412 685

E-mail : care@scopemedical.in Website : www.scopemedical.in

Buy Online : www.laryngostore.com